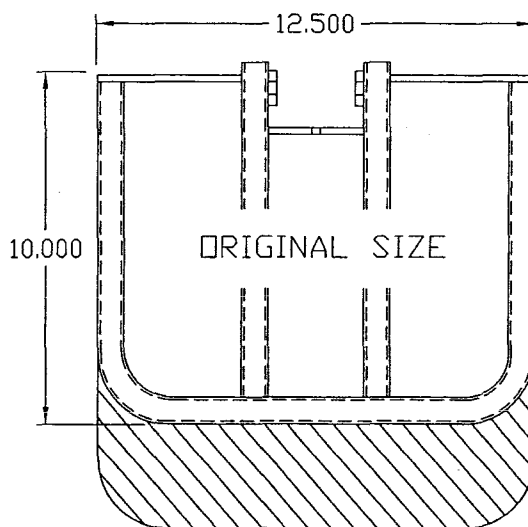


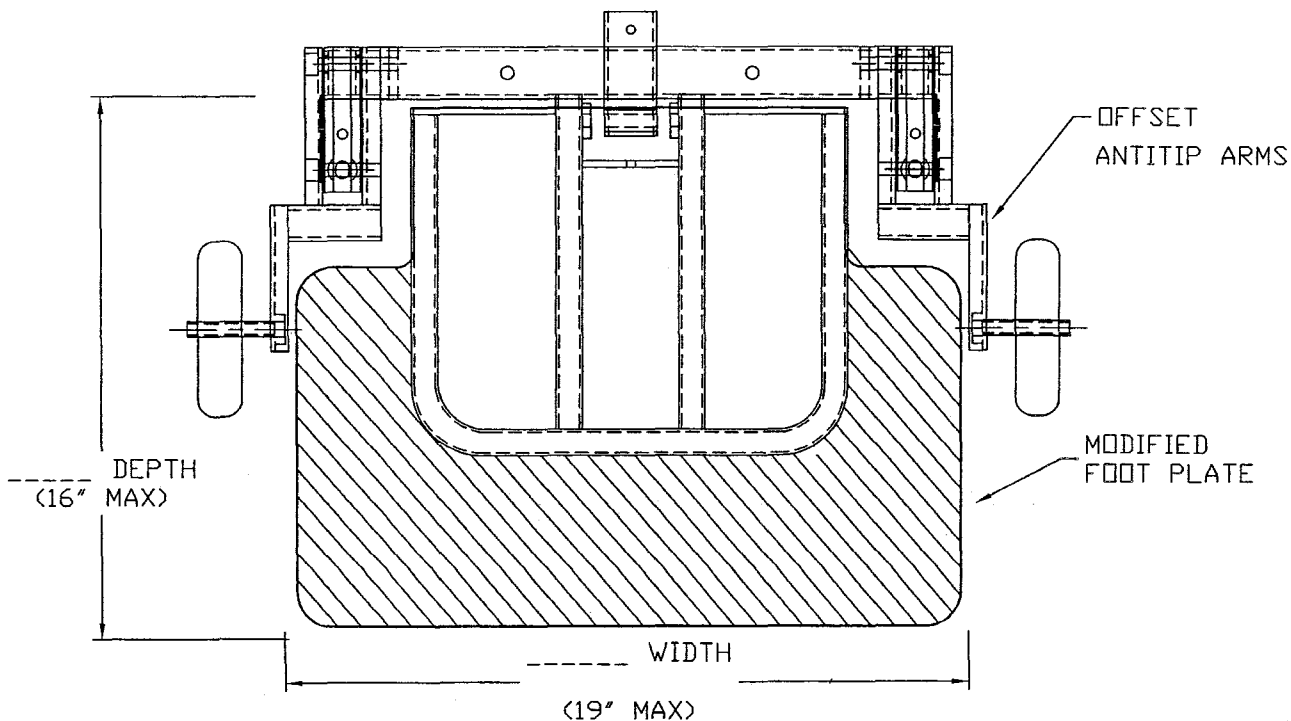
# SCOUT, BOSS 4.5 RFP4 MODIFIED FOOT PLATE REQUEST

3" OF ADDITIONAL LENGTH IS AVAILABLE BY ORDERING OPTION #82055. OTHER LENGTHS AND WIDTHS ARE ACCOMPLISHED BY FASTENING A TOP PLATE MADE OF 3/8" THICK ARBORON (WATERPROOF COMPOSITE MATERIAL) ON TOP OF THE ORIGINAL STEEL.

USE THE DRAWING BELOW TO INDICATE A REQUESTED SIZE IF IT IS SOMETHING OTHER THAN THE 3" LONGER VERSION.



NOTE: MAKING THE FOOT PLATE WIDER MAY REQUIRE THE PURCHASE OF OFFSET ANTITIP WHEEL ARMS



Customer \_\_\_\_\_ Ordered By \_\_\_\_\_ Date \_\_\_\_\_