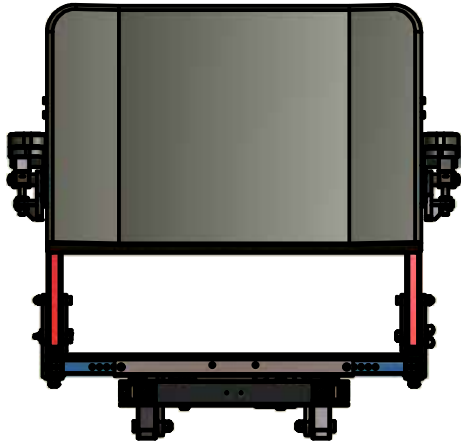
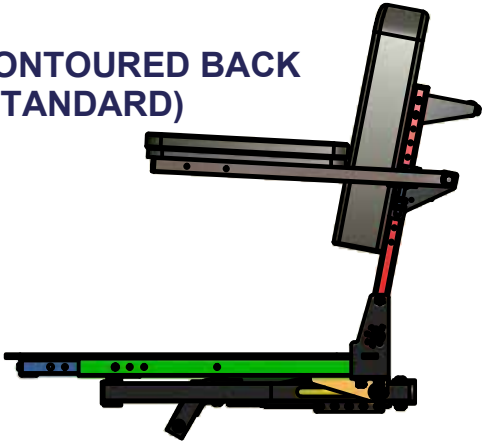


BACK OPTIONS (HDT)

QUICK REFERENCE-HDT BACK OPTIONS 05/2018



CONTOURED BACK (STANDARD)



FEATURES

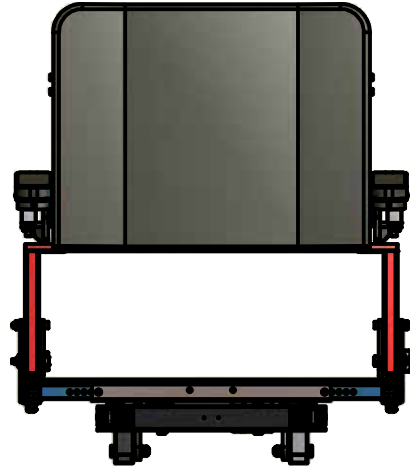
- CONTOURED BACK CUSHION W/PRIVACY FLAP
- BACK MOUNTED ARMRESTS
- PUSHBAR

BACK CUSHION DIMENSIONS

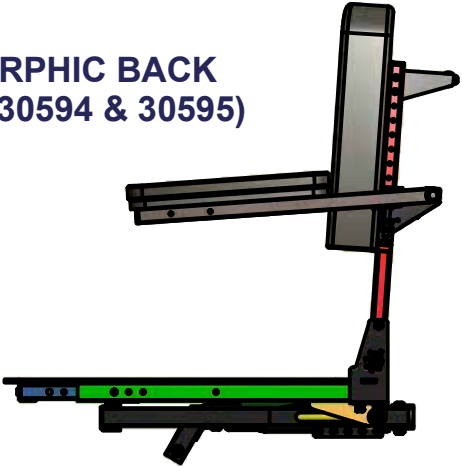
- WIDTH: SAME AS SPECIFIED SEAT WIDTH
- TALL: 17" STANDARD, CUSTOM SIZES AVAILABLE

OVERALL DIMENSIONS

- OVERALL WIDTH OF SEAT: APPROX. 6-7" WIDER THAN THE WIDTH OF THE BACK CUSHION
- GAP BETWEEN BACK CUSHION AND SEAT PAN: 8" OR 11", CUSTOM GAP AVAILABLE
- OVERALL HEIGHT OF BACK ABOVE SEAT PAN = BACK CUSHION TALLNESS + GAP BETWEEN BACK CUSHION AND SEAT PAN



ENDOMORPHIC BACK (OPTION 30594 & 30595)



FEATURES

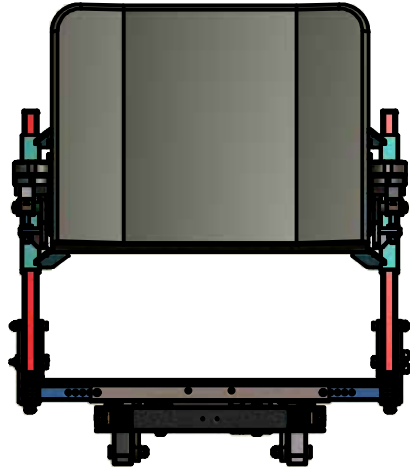
- CONTOUR BACK CUSHION W/ PRIVACY FLAP
- BACK MOUNTED ARMRESTS
- PUSHBAR

BACK CUSHION DIMENSIONS

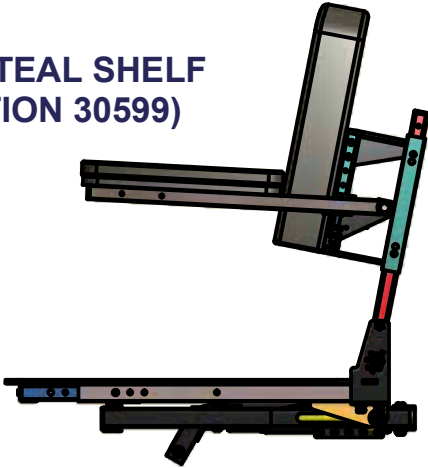
- WIDTH: 2" OR 4" NARROWER THAN SPECIFIED SEAT WIDTH
- TALL: 17" STANDARD, CUSTOM SIZES AVAILABLE

OVERALL DIMENSIONS

- OVERALL WIDTH OF SEAT: APPROX. 6-7" WIDER THAN THE WIDTH OF THE BACK CUSHION
- GAP BETWEEN BACK CUSHION AND SEAT PAN: 8" OR 11", CUSTOM GAP AVAILABLE
- OVERALL HEIGHT OF BACK ABOVE SEAT PAN = BACK CUSHION TALLNESS + GAP BETWEEN BACK CUSHION AND SEAT PAN



GLUTEAL SHELF (OPTION 30599)



FEATURES

- UP TO 6" GLUTEAL SHELF
- CONTOUR BACK CUSHION W/PRIVACY FLAP
- BACK MOUNTED ARMRESTS
- PUSHBAR

BACK CUSHION DIMENSIONS

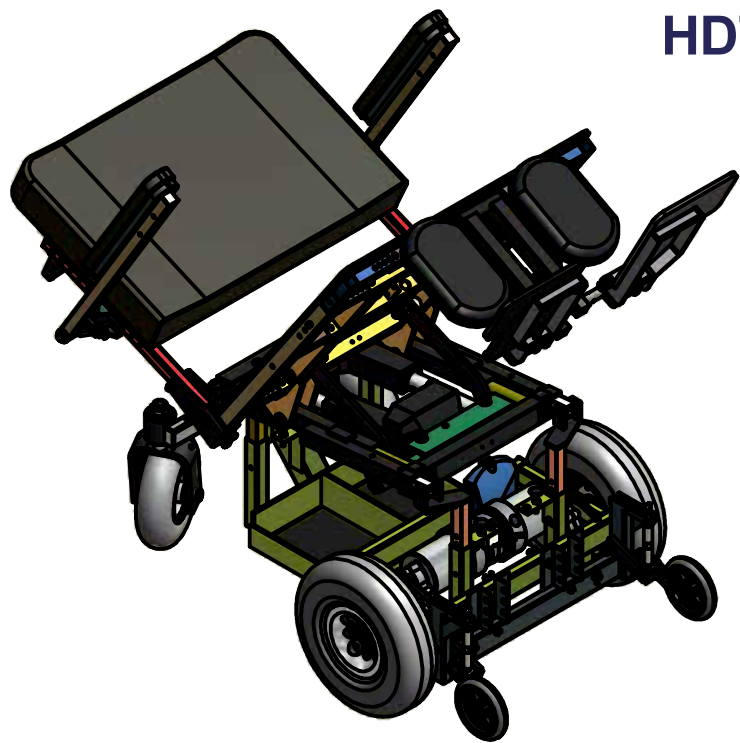
- WIDTH: 2" OR 4" NARROWER THAN SPECIFIED SEAT WIDTH OR SAME WIDTH AS SPECIFIED SEAT
- TALL: 17" STANDARD, CUSTOM SIZES AVAILABLE

OVERALL DIMENSIONS

- OVERALL WIDTH OF SEAT: APPROX. 6-7" WIDER THAN THE WIDTH OF THE BACK CUSHION
- GAP BETWEEN BACK CUSHION AND SEAT PAN: 8" OR 11", CUSTOM GAP AVAILABLE
- OVERALL HEIGHT OF BACK ABOVE SEAT PAN = BACK CUSHION TALLNESS + GAP BETWEEN BACK CUSHION AND SEAT PAN

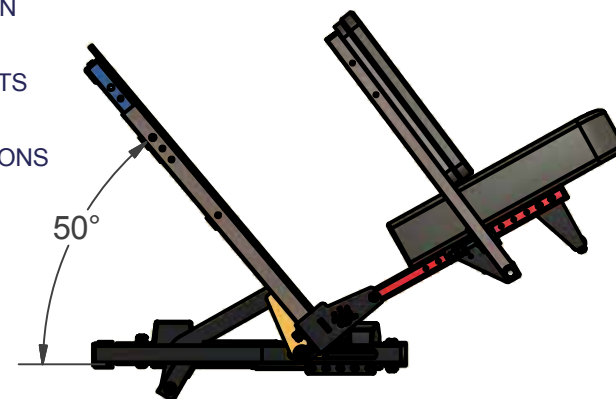
HDT SEAT INFORMATION

QUICK REFERENCE-HDT SEAT
OPTIONS LEISURE LIFT INC.
2-12-2013



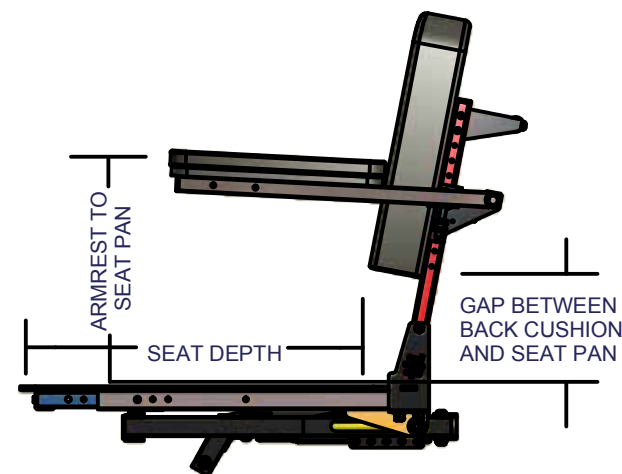
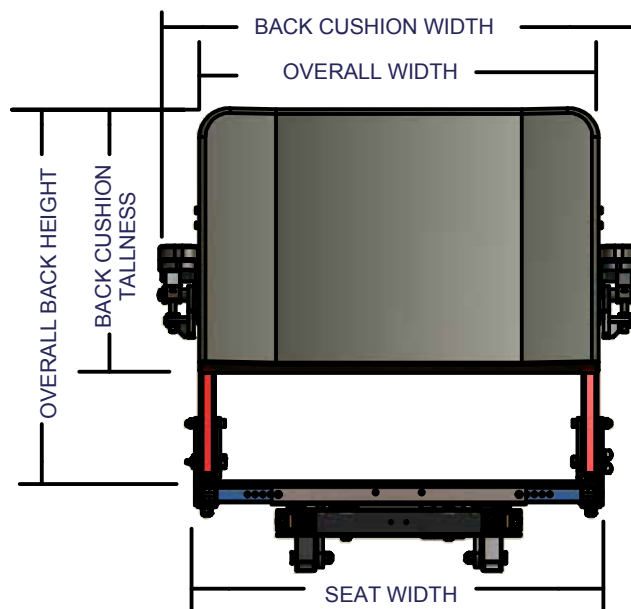
FEATURES AND CAPABILITIES:

- 50 DEG. TILT
- 400, 550, or 600 POUND CAPACITY (DEPENDING ON WHEELCHAIR BASE)
- ADJUSTABLE HEIGHT AND REMOVABLE ARMRESTS
- CONTOURED BACK
- ENDOMORPHIC AND GLUTEAL SHELF BACK OPTIONS
- TILT CONTROL THROUGH JOYSTICK DRIVE WHEN TILTED (UP TO 20 DEGREES AT REDUCED SPEED)
- EASY BATTERY ACCESS*
- MULTIPLE LEG REST OPTIONS INCLUDING:
 - ELRs
 - SWING AWAY
 - POWER ELRs
 - MANUALLY ELEVATING CENTER COLUMN
 - POWER CENTER COLUMN
 - POWER LEG PAD



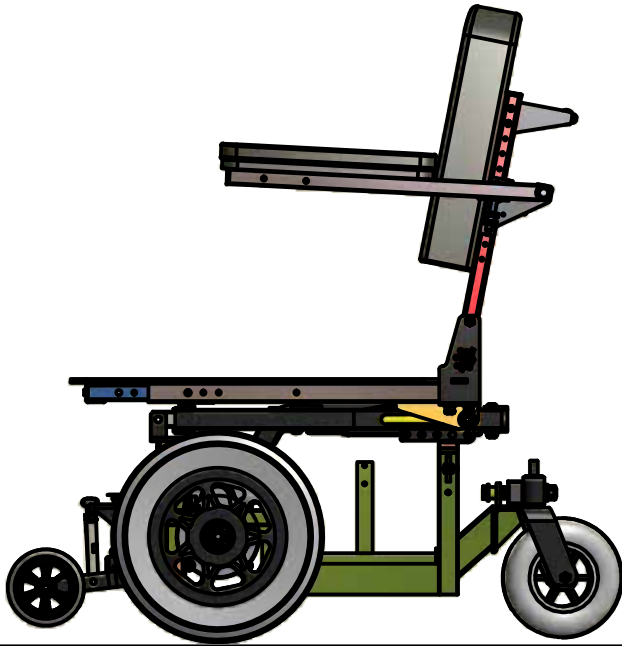
SEAT DIMENSIONS

- WIDTH: 22" TO 30" IN 1" INCREMENTS STANDARD
- DEPTH 18" TO 26" STANDARD
- CUSTOM SEAT SIZES AVAILABLE



HDT BASE SELECTION GUIDE

QUICK REFERENCE-HDT BASE
SELECTION GUIDE *LEISURE*
LIFT INC. 05-2018



RF-P4

- SEAT PAN TO FLOOR
 - MINIMUM: 18.4" (SEE NOTE)
 - MAXIMUM: 20.4" (STANDARD, CUSTOM HEIGHT AVAILABLE)
- PRE-TILT ANGLES:
 - 2.5 DEGREES
 - 5 DEGREES
- TURN RADIUS: 21.5"
- CAPACITY: 400 POUNDS
- ADJUSTABLE HEIGHT ANTI TIP WHEELS
- STANZA POWER ANTI-TIP WHEELS OPTION
- CENTER MOUNTED ANTI-TIP WHEELS OPTION
- FLIP UP SEAT FOR EASY BATTERY ACCESS*
- GROUP 22 MAX BATTERY SIZE

BOSS 4.5

- SEAT PAN TO FLOOR
 - MINIMUM: 17.25" (SEE NOTE)
 - MAXIMUM: 20.5" (STANDARD, CUSTOM HEIGHT AVAILABLE)
- PRE-TILT ANGLES:
 - 1.5 DEGREES
 - 3 DEGREES
- TURN RADIUS: 24.5"
- CAPACITY: 400 POUNDS
- ADJUSTABLE HEIGHT ANTI TIP WHEELS
- STANZA POWER ANTI-TIP WHEELS OPTION
- CENTER MOUNTED ANTI-TIP WHEELS OPTION
- FLIP UP SEAT FOR EASY BATTERY ACCESS*
- GROUP 24 MAX BATTERY SIZE

BOSS 6, BOSS 6NS, BOSS 6.75

- SEAT PAN TO FLOOR
 - MINIMUM: 17.25" (SEE NOTE)
 - MAXIMUM: 21.4" (STANDARD, CUSTOM HEIGHT AVAILABLE)
- PRE-TILT ANGLES:
 - 2.5 DEGREES
 - 5 DEGREES
- TURN RADIUS: 27"
- CAPACITY:
 - 550 POUNDS (BOSS 6, BOSS 6NS)
 - 600 POUNDS (BOSS 6.75)
- ADJUSTABLE HEIGHT ANTI-TIP WHEELS
- STANZA POWER ANTI-TIP WHEELS OPTION
- CENTER MOUNTED ANTI-TIP WHEELS OPTION
- FLIP UP SEAT FOR EASY BATTERY ACCESS*
- GROUP 24 MAX BATTERY SIZE

NOTE: LOWEST SEAT PAN TO FLOOR HEIGHTS WILL NEED TO BE SPECIFIED ON THE ORDER. WHEELCHAIRS WILL NOT EASILY ADJUST TO THE LOWEST SETTINGS AFTER SHIPPING OTHERWISE. LOWEST HEIGHTS REDUCE BATTERY ACCESS AND SEATING ADJUSTMENTS