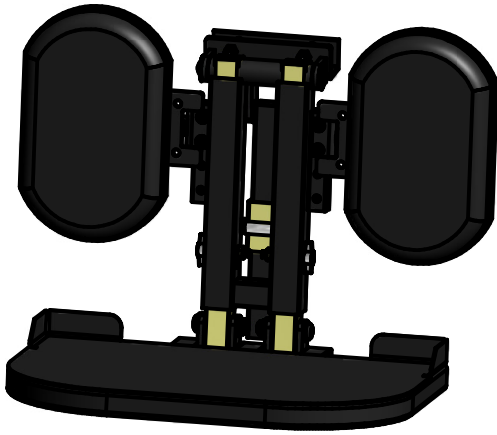


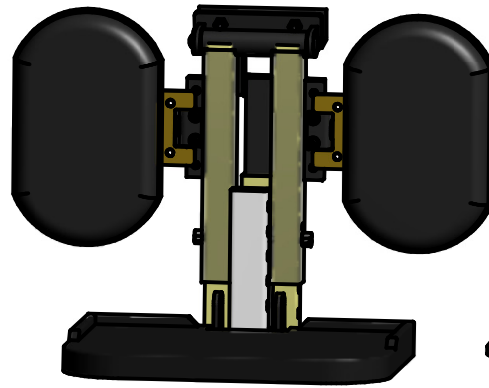
HD CENTER COLUMN OPTIONS (MANUAL ELEVATING)

QUICK REFERENCE- CENTER COLUMN OPTIONS
Leisure Lift Inc. 10/12/2015



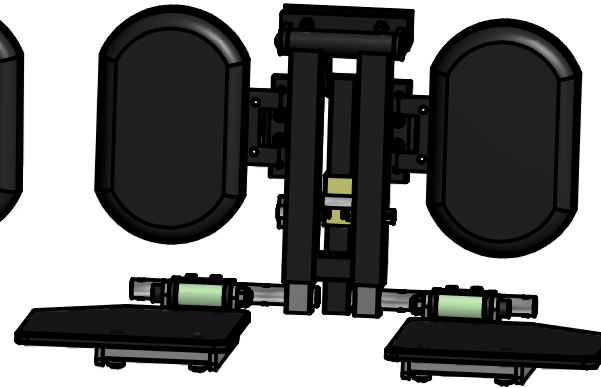
30600: Boss 6 Footplate

Available On: Boss 6 Series with Boss Equalizer (600 and 550 lb capacity), Admiral, or Com-For-Back seating. (SEE NOTE 1)



30601: Boss 4.5/P4 Footplate

Available On: Boss 4.5 and P4 with Boss Equalizer (400 lb capacity), Equalizer (300 lb capacity), Admiral, or Com-For-Back seating. (NOTE 1)



30602: Individual Footplate

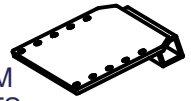
Available On: Boss 6 series, Boss 4.5 and P4 with Boss Equalizer (all capacities), Equalizer (300 lb capacity), Admiral or Com-For-Back seating. (SEE NOTE 1 and NOTE 2)

MANUAL ANGLE
ADJUSTMENT 96 to 173
deg 9 deg INCREMENTS

MIN DIST. TILT SEAT
PAN TO FOOT REST
11.75" Sep foot plates
12.25" One piece ft plate

MIN DIST. C-F-B SEAT
PAN TO FOOT REST
12.25" Sep foot plates
12.75" One piece ft plate

PN 83149
REQD for ADM
& C-F-B SEATS

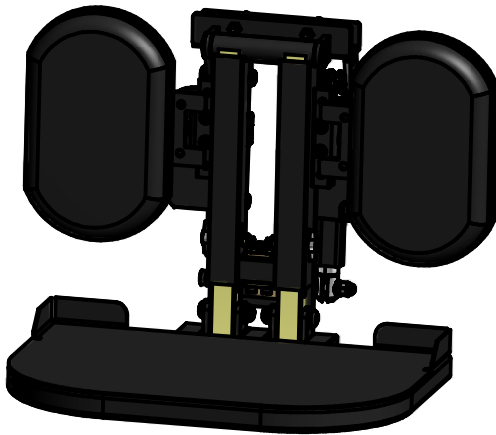


PN 30665
Large one piece leg
pad to replace the
separate calf pads.

PN 81807 (1 pr)
REQD for Leg pad
& Indiv foot plates

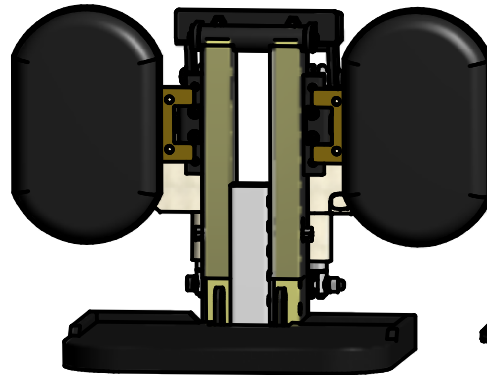


POWER CENTER COLUMN OPTIONS



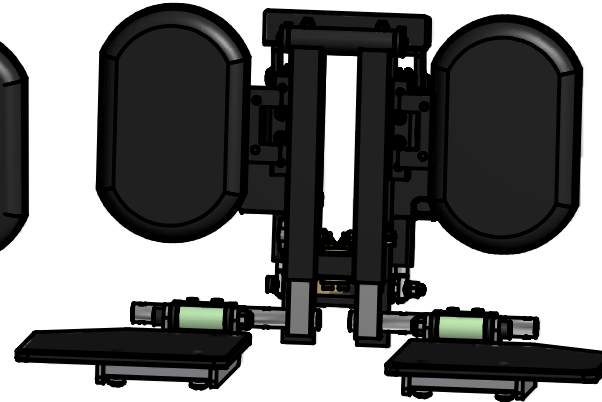
30650: Boss 6 Footplate

Available On: Boss 6 Series with Boss Equalizer (600 and 550 lb Capacity), Admiral, or Com-For-Back seating. (SEE NOTE 1)



30651: Boss 4.5/P4 Footplate

Available On: Boss 4.5 and P4 with Boss Equalizer (400 lb Capacity), Equalizer (300 lb Capacity), Admiral, or Com-For-Back seating. (SEE NOTE 1)



30652: Individual Footplate

Available On: Boss 6 series, Boss 4.5 and P4 with Boss Equalizer (all capacities), Equalizer (300 lb capacity), Admiral, or Com-For-Back seating.* (SEE NOTE 1 AND NOTE 2)

POWER CENTER COLUMN
OPERATES IN 3 RANGES:

1. 90 to 153 deg
2. 102 to 166 deg
3. 112 to 180 deg

NOTE 2:
AVAILABLE FOOT
PLATE DIMENSIONS:
-7.5" to 9.5" WIDE
-9.5" to 11.5" LONG

WIDTH ACROSS
FOOTPLATES
MAX 29" (9.5" W PLATES)
MIN 17" (7.5" W PLATES)
IN 1" INCREMENTS

NOTE 1: CENTER COLUMNS ARE NOT COMPATIBLE WITH POWER ELEVATING SEATS AND CENTER ANTI-TIPS