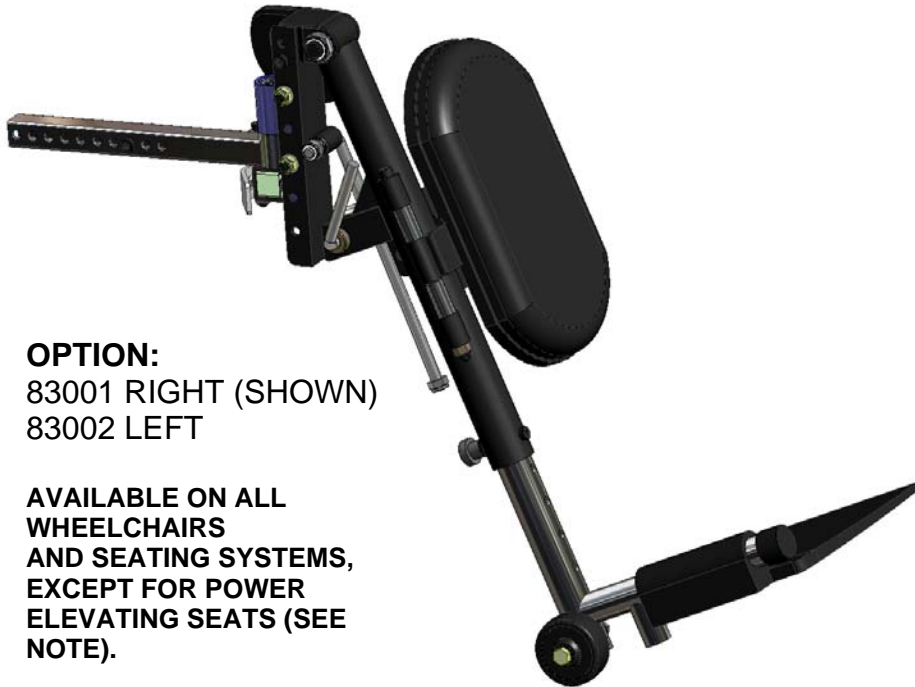


# ELR OPTIONS

QUICK  
REFERENCE-ELRs  
LEISURE LIFT INC.  
3-15-2013

## xHD ELRs



### OPTION:

83001 RIGHT (SHOWN)  
83002 LEFT

AVAILABLE ON ALL  
WHEELCHAIRS  
AND SEATING SYSTEMS,  
EXCEPT FOR POWER  
ELEVATING SEATS (SEE  
NOTE).

### FEATURES:

- ELEVATING FROM 70 to 180 DEGREES
- ADJUSTABLE LEG LENGTH (from 14 to 20 inches)
- ADJUSTABLE CALF PAD POSITION (3 inch range)
- ADJUSTABLE KNEE POSITION (3 inch range)
- SWING AWAY AND REMOVABLE

## POWER ELRs



### OPTION:

83041 RIGHT (SHOWN)  
83042 LEFT

AVAILABLE ON ALL  
WHEELCHAIRS  
AND SEATING SYSTEMS,  
EXCEPT FOR POWER  
ELEVATING SEATS (SEE  
NOTE).

### FEATURES:

- ELEVATING FROM 70 to 165 DEGREES
- ADJUSTABLE LEG LENGTH (from 14 to 20 inches)
- ADJUSTABLE CALF PAD POSITION (3 inch range)
- ADJUSTABLE KNEE POSITION (3 inch range)
- SWING AWAY AND REMOVABLE
- NON ARTICULATING

**NOTE:** STANDARD (GEN) HD ELRS AND SWING AWAY LEG RESTS ARE AVAILABLE WITH POWER ELEVATING SEATS.