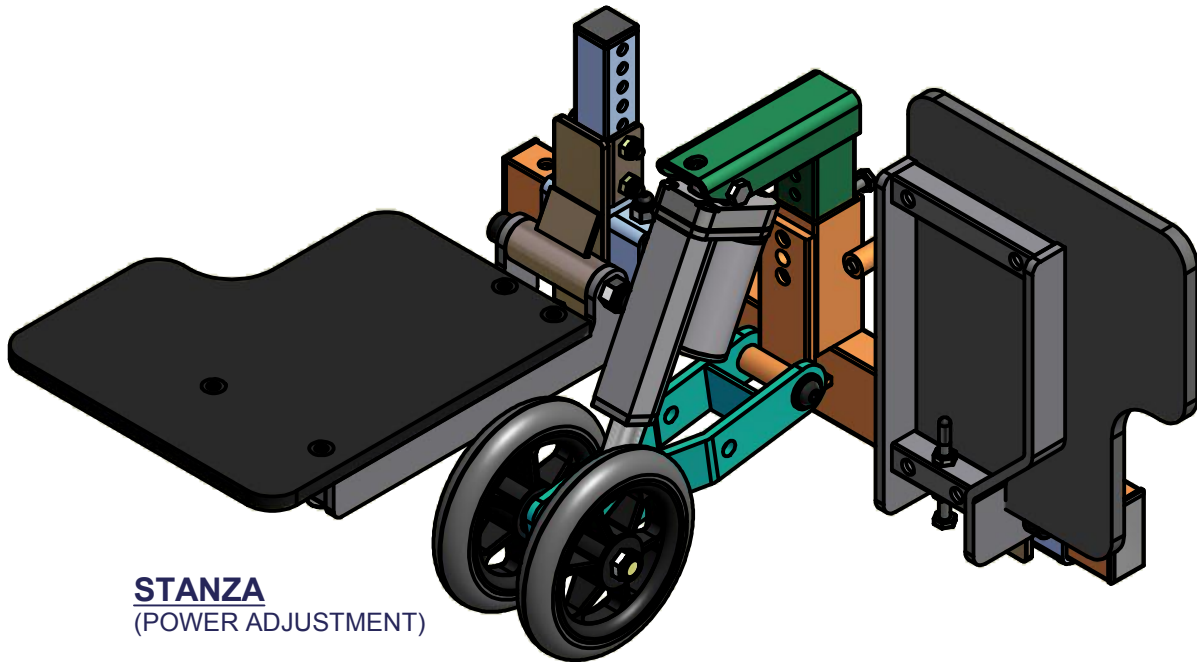


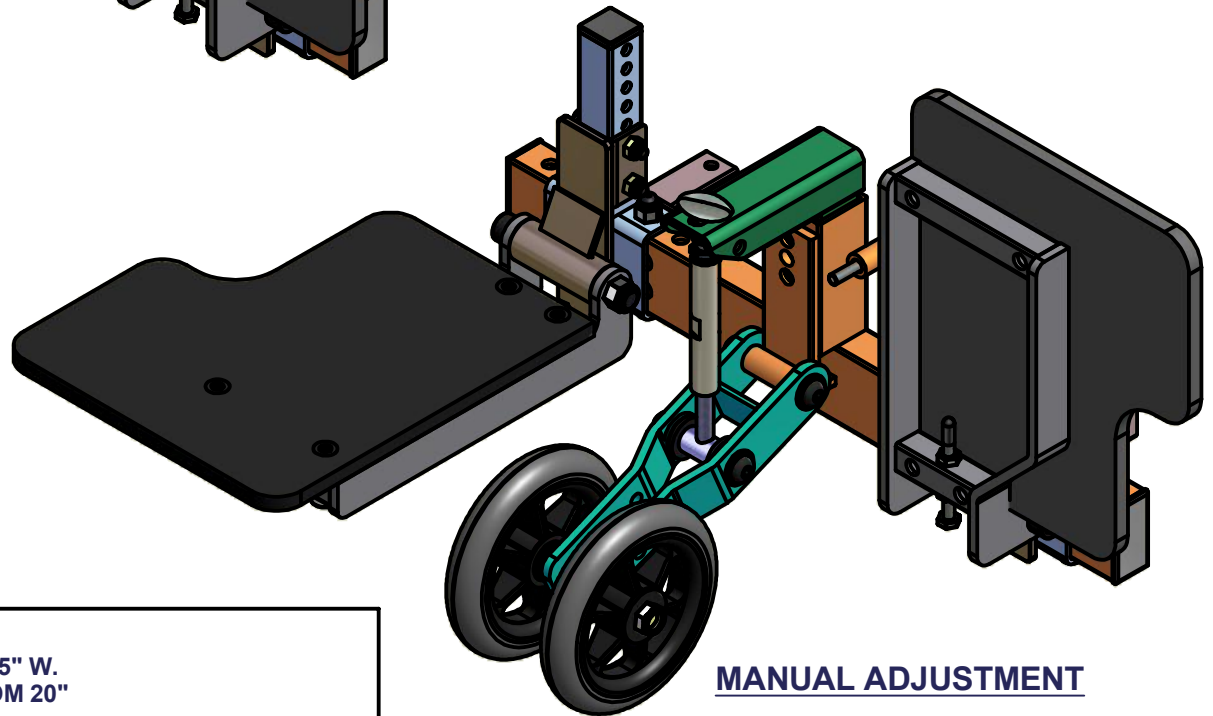
CENTER ANTI-TIP OPTIONS

QUICK REFERENCE
GUIDE-CENTER ANTI-TIPS
LEISURE LIFT INC. 05/2018



STANZA
(POWER ADJUSTMENT)

- OPTION 83081: BOSS 6/6.75
 - OPTION 83083: BOSS 6NS
 - OPTION 83085: BOSS 4.5, RF-P4, RF4
- SEE NOTES



MANUAL ADJUSTMENT

- OPTION 83082: BOSS 6/6.75
- OPTION 83084: BOSS 6NS
- OPTION 83086: BOSS 4.5, RF-P4, RF4

FOOTPLATE DIMENSIONS

1. AVAILABLE FOOTPLATE DIMENSIONS: 9.5 to 11.5" L, 7.5 to 9.5" W.
2. OVERALL WIDTH ACROSS FOOTPLATES ADJUSTABLE FROM 20" (with 7.5" W footplates) TO 30" (with 9.5" W footplates)
3. STANDARD FOOTPLATE DIMENSIONS: 8.5" WIDE and 9.5" LONG

NOTES:

1. INDIVIDUAL FOOTPLATES ARE INCLUDED IN THE OPTION BUT CAN BE DELETED WITH OPTION 83095.
2. CENTER ANTI-TIPS ARE NOT COMPATIBLE WITH CENTER COLUMN LEG REST OR LEG PAD.
3. INDIVIDUAL FOOTPLATES ARE NOT DESIGNED TO BE STOOD ON.
4. INSTALLATION KITS ARE PART OF THE OPTION, THEY DO NOT NEED TO BE ORDERED SEPERATELY.