

# LEISURE-LIFT SOLID SEAT BOARD FOR CANE SEATS - SIZE INFORMATION

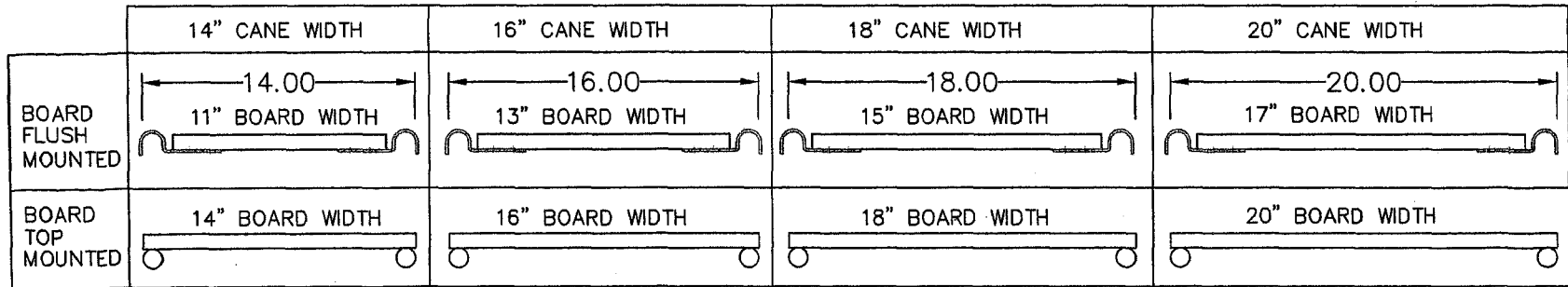
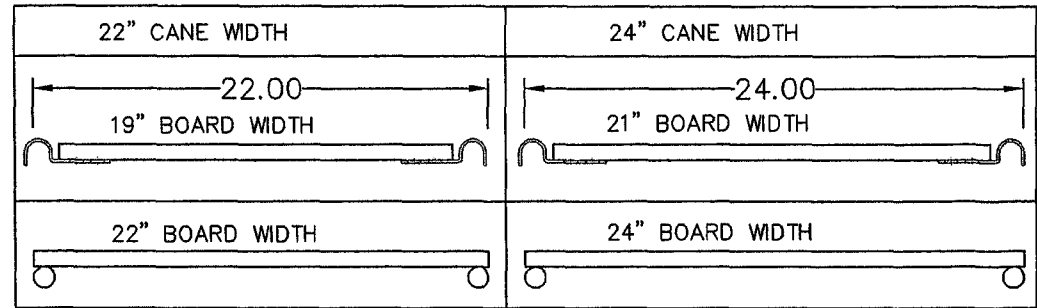
fn: cane  
rev 7/29/04

PLEASE CHOOSE ONE OF THE STANDARD BOARD SIZES OR INDICATE A CUSTOM SIZE.

PLEASE INDICATE HOW THE BOARD IS TO BE MOUNTED.

BOARD  
FLUSH  
MOUNTED

BOARD  
TOP  
MOUNTED



SPECIAL INSTRUCTIONS:

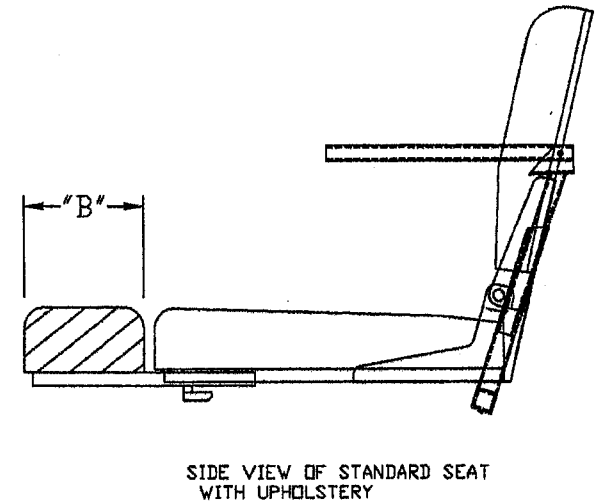
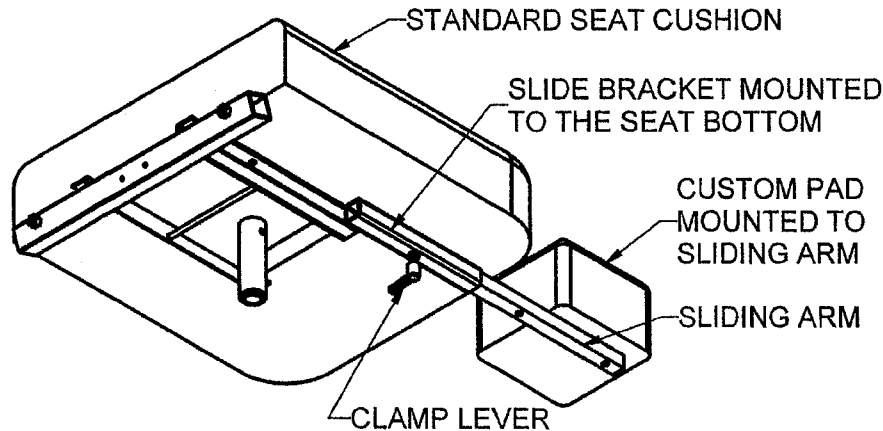
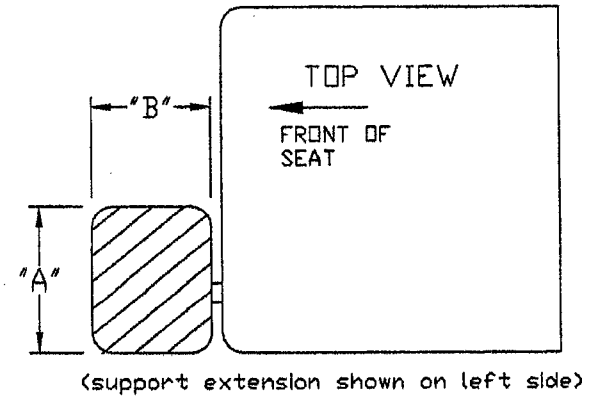
ORDER # _____	QTY. _____	OPTION # 81654		<input type="checkbox"/> INSTALLED FLUSH WITH CANES  (uses drop hook #16475) (board width must be 11, 13, 15, 17, 19, or 21")  <input type="checkbox"/> INSTALLED ON TOP OF CANES  (board width must be 14, 16, 18, 20, 22 or 24")  <input type="checkbox"/> NOT INSTALLED
COMPANY _____		STANDARD BOARDS FOR DROP HOOKS	CUSTOM BOARDS (MAX SIZE 24"x24")	
NAME _____		<input type="checkbox"/> 11"W X 14"D	WIDTH _____	
DATE _____		<input type="checkbox"/> 13"W X 15"D	DEPTH _____	
ORDER TAKEN BY _____		<input type="checkbox"/> 15"W X 17"D		
		<input type="checkbox"/> 17"W X 19"D		
		<input type="checkbox"/> 19"W X 19"D		
		<input type="checkbox"/> 21"W X 19"D		

Dear Dealer,

Please review this custom order seat form carefully, sign and return. Custom order seats require additional time. Specifications can not be changed after the order is placed. SIGNATURE: \_\_\_\_\_

# LEISURE-LIFT ADMIRAL & COM-FOR-BACK SEATS WITH REMOVABLE TELESCOPING AMPUTEE SUPPORT

NEW DIMENSIONS	EXTENSION NEEDED FOR:
A= _____	_____ LH LEG
B= _____	_____ RH LEG
Upholstery choice _____	
Dealer name _____	
Order# _____	Qty. _____ Date _____
L.L. salesperson _____	
Scooter/WC model _____	



seateffdm  
rev. 3/08/06

Dear Dealer,

Please review this custom order seat form carefully, sign and return. Custom order seats require additional time. Specifications can not be changed after the order is placed. SIGNATURE: \_\_\_\_\_

# LEISURE-LIFT Com-For-Back SEAT

## Standard seat dimensions

18"seat= 18"W by 18"D Effective seat size  
21"seat= 21"W by 20"D Effective seat size  
24"seat= 24"W by 20"D Effective seat size

## Custom requested dimensions

Effective seat depth = \_\_\_\_\_

Effective seat width = \_\_\_\_\_

Upholstery choice \_\_\_\_\_

Dealer name \_\_\_\_\_

Order# \_\_\_\_\_ Qty. \_\_\_\_\_ Date \_\_\_\_\_

L.L. salesperson \_\_\_\_\_

Scooter/WC model \_\_\_\_\_

## NOTES:

### MAX WIDTH

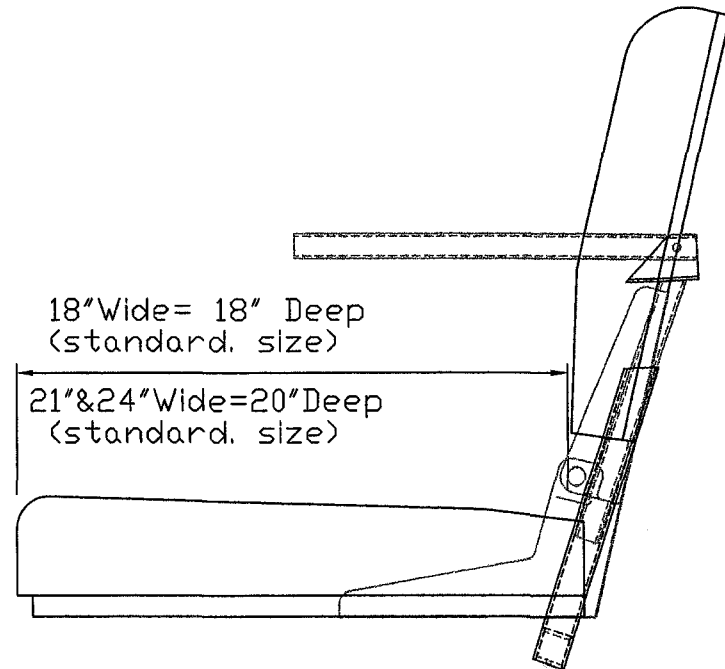
24" - Scooters & power chairs with a single seat post.

26" - P3 & P4 power chairs

30" - Boss 4.5

THIS DRAWING SHOWS THE DIMENSIONS FOR THE STANDARD SEAT SIZES SOLD BY LEISURE LIFT.

YOU MUST SPECIFY A WIDTH AND DEPTH FOR CUSTOM SEATS. CUSTOM SEAT SIZES WILL BE ROUNDED TO THE NEAREST INCH WITH A MANUFACTURING TOLERANCE OF .5"



SIDE VIEW OF STANDARD SEAT WITH UPHOLSTERY

seateffdlm  
rev. 3/06

Dear Dealer,

Please review this custom order seat form carefully, sign and return. Custom order seats require additional time. Specifications can not be changed after the order is placed. SIGNATURE: \_\_\_\_\_

# LEISURE-LIFT Com-For-Back SEAT WITH WOOD PAN

## Standard seat dimensions

16"seat= 16"W by 17.5"D Effective seat size  
20"seat= 20"W by 19.5 "D Effective seat size  
23"seat= 23"W by 19.5"D Effective seat size

### Custom requested dimensions

Effective seat depth = \_\_\_\_\_

Effective seat width = \_\_\_\_\_

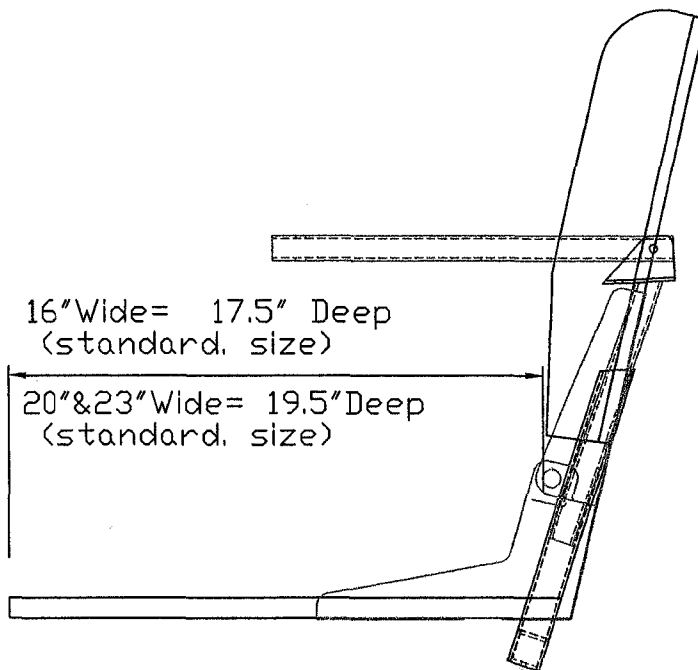
Upholstery choice \_\_\_\_\_

Dealer name \_\_\_\_\_

Order# \_\_\_\_\_ Qty. \_\_\_\_\_ Date \_\_\_\_\_

L.L. salesperson \_\_\_\_\_

Scooter/WC model \_\_\_\_\_



SIDE VIEW OF STANDARD SEAT WITH UPHOLSTERY

### NOTES:

#### MAX WIDTH

- 23" - Scooters & power chairs with a single seat post.
- 25" - P3 & P4 power chairs
- 29" - Boss 4.5

THIS DRAWING SHOWS THE DIMENSIONS FOR THE STANDARD SEAT BOARD SIZES SOLD BY LEISURE LIFT.

YOU MUST SPECIFY A WIDTH AND DEPTH FOR CUSTOM SEATS. CUSTOM SEAT SIZES WILL BE ROUNDED TO THE NEAREST INCH WITH A MANUFACTURING TOLERANCE OF .5".

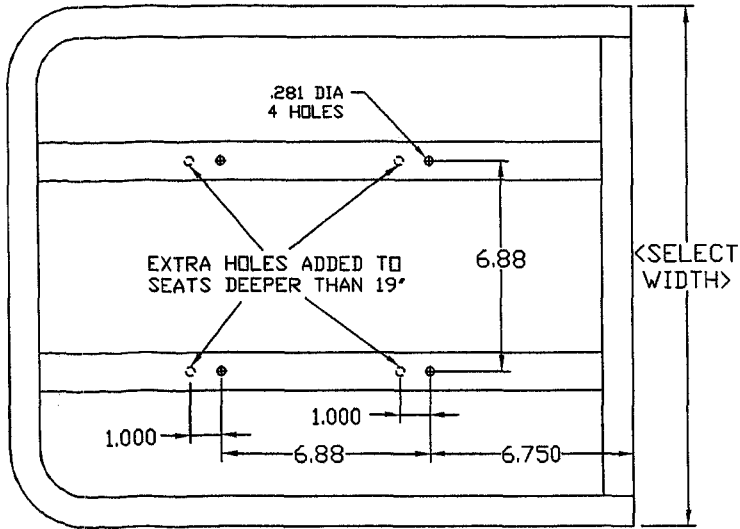
seateffdlm  
rev. 3/06

Dear Dealer,

Please review this custom order seat form carefully, sign and return. Custom order seats require additional time. Specifications can not be changed after the order is placed. SIGNATURE: \_\_\_\_\_

LEISURE-LIFT ADMIRALS SEAT  
 CUSTOM SIZE ORDER FORM (23" wide or less)

23" WIDE IS THE MAX FOR THIS FRAME STYLE. A HEAVIER FRAME IS REQUIRED FOR 24"-30" WIDE SEATS



STANDARD FRAME FOR A SEAT WITH AN EFFECTIVE SEAT DEPTH OF 19" & EFFECTIVE WIDTH OF 18"

NOTES:

MAX WIDTH

- 24" - Scooters & power chairs with a single seat post.
- 26" - P3 & P4 power chairs
- 30" - Boss 4.5

YOU MUST USE THE H.D. VERSION OF THE ADMIRAL SEAT TO ACHIEVE THE PRODUCT SPECIFIC MAX WIDTHS SHOWN.

YOU MUST SPECIFY A WIDTH AND DEPTH FOR CUSTOM SEATS. CUSTOM SEAT SIZES WILL BE ROUNDED TO THE NEAREST INCH WITH A MANUFACTURING TOLERANCE OF .5".

LEISURE-LIFT CONSIDERS THE FRAME WIDTH TO BE 1" LESS THAN THE EFFECTIVE SEAT WIDTH AND THE FRAME DEPTH AS 1.5' GREATER THAN THE EFFECTIVE MIN. SEAT DEPTH

Custom requested dimensions

Effective seat depth = \_\_\_\_\_

Effective seat width = \_\_\_\_\_

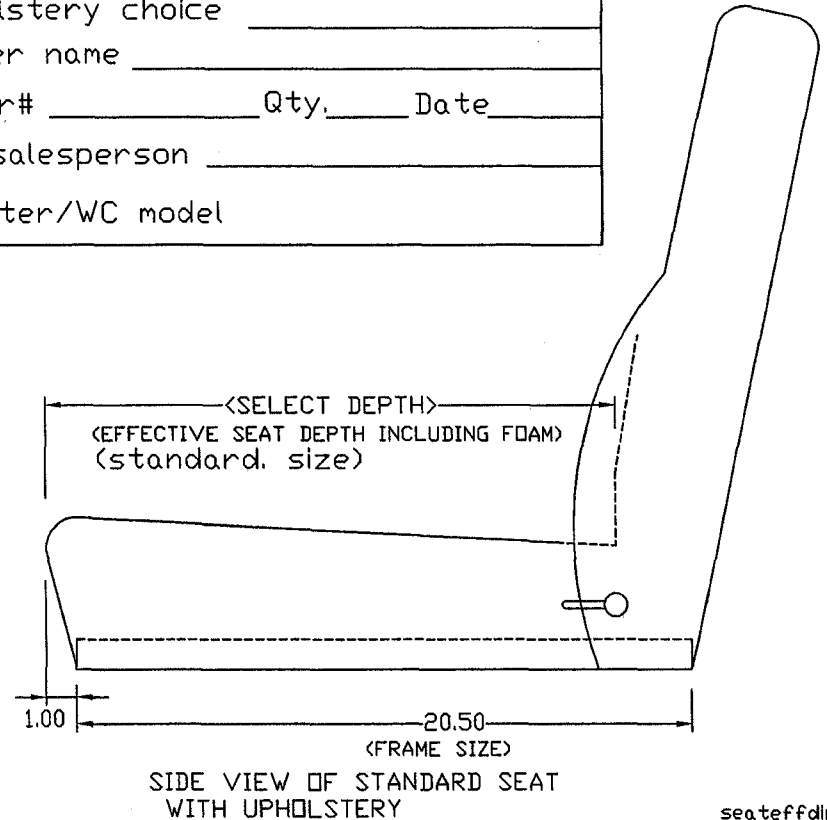
Upholstery choice \_\_\_\_\_

Dealer name \_\_\_\_\_

Order# \_\_\_\_\_ Qty. \_\_\_\_\_ Date \_\_\_\_\_

L.L. salesperson \_\_\_\_\_

Scooter/WC model \_\_\_\_\_



SIDE VIEW OF STANDARD SEAT WITH UPHOLSTERY

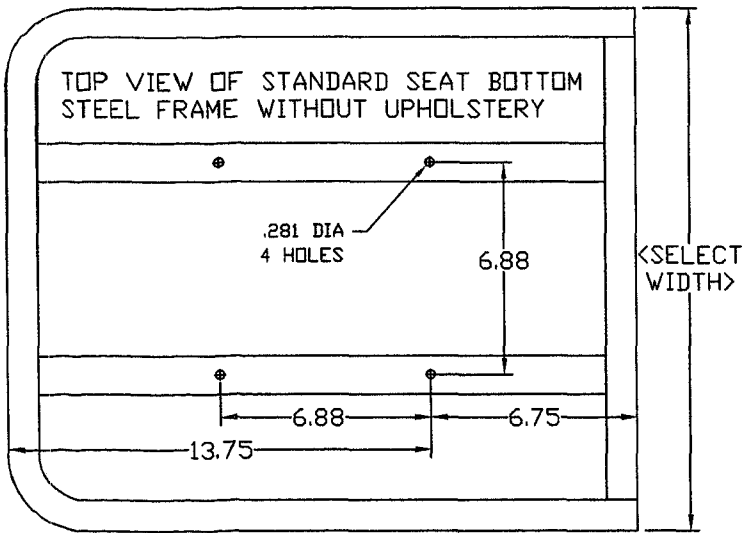
seateffdm  
 rev. 3/06

Dear Dealer,

Please review this custom order seat form carefully, sign and return. Custom order seats require additional time. Specifications can not be changed after the order is placed. SIGNATURE: \_\_\_\_\_

LEISURE-LIFT ADMIRALS SEAT WITH WOOD PAN  
CUSTOM SIZE ORDER FORM (23" wide or less)

23" WIDE IS THE MAX FOR THIS FRAME STYLE. A  
HEAVIER FRAME IS REQUIRED FOR 24"-30" WIDE SEATS



THE STANDARD FRAME PRODUCES A SEAT WITH AN EFFECTIVE  
MIN. SEAT DEPTH OF 18" & EFFECTIVE SEAT WIDTH OF 18"

NOTES:

MAX WIDTH

- 24" - Scooters & power chairs with a single seat post.
- 26" - P3 & P4 power chairs
- 30" - Boss 4.5

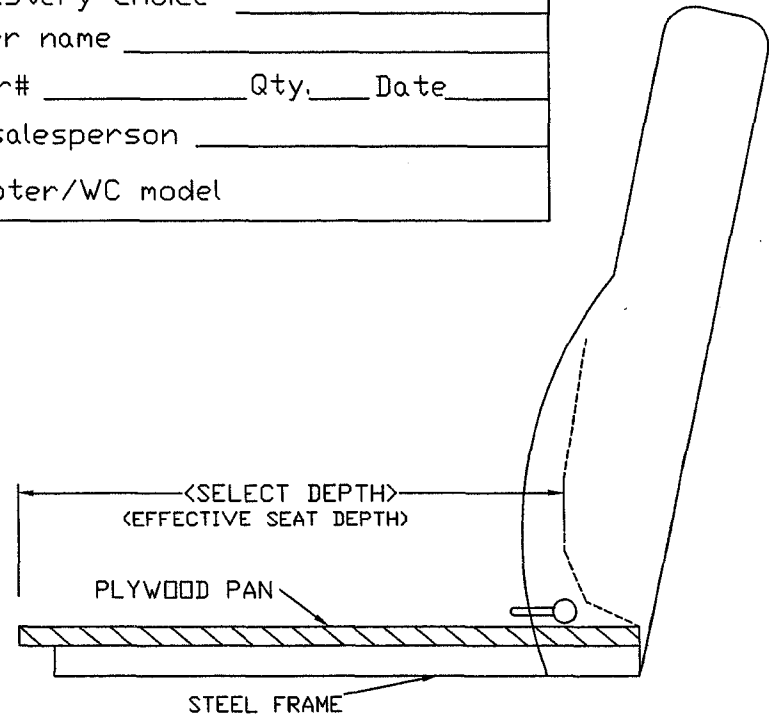
YOU MUST USE THE H.D. VERSION OF THE ADMIRAL SEAT TO  
ACHIEVE THE PRODUCT SPECIFIC MAX WIDTHS SHOWN.

YOU MUST SPECIFY A WIDTH AND DEPTH FOR CUSTOM SEATS.  
CUSTOM SEAT SIZES WILL BE ROUNDED TO THE NEAREST INCH  
WITH A MANUFACTURING TOLERANCE OF .5".

LEISURE-LIFT CONSIDERS THE FRAME WIDTH TO BE 1" LESS  
THAN THE EFFECTIVE SEAT WIDTH AND THE FRAME DEPTH AS  
2.5" GREATER THAN THE EFFECTIVE MIN. SEAT DEPTH

THE WOOD PAN ON AN 18 X 18 SEAT WILL BE FLUSH WITH THE  
FRONT OF THE STEEL FRAME AND EXTEND .5" PER SIDE ON THE  
SIDES OF THE STEEL FRAME.

<u>Custom requested dimensions</u>	
Effective seat depth =	_____
Effective seat width =	_____
(max. custom seat width is 23")	
Upholstery choice	_____
Dealer name	_____
Order# _____ Qty. _____ Date _____	
L.I. salesperson	_____
Scooter/WC model	_____



SIDE VIEW OF STANDARD SEAT  
WITH UPHOLSTERY

seateffdm  
rev. 3/06

Dear Dealer,

Please review this custom order seat form carefully, sign and return. Custom order seats require additional  
time. Specifications can not be changed after the order is placed. SIGNATURE: \_\_\_\_\_

# LEISURE LIFT Com-For-Back SEAT FOR BOSS/BOSS V

## STANDARD SEAT DIMENSIONS

24" X 21" SEAT = 24" WIDTH BY 19.5" TO 21.5" DEPTH

26" X 21" SEAT = 26" WIDTH BY 19.5" TO 21.5" DEPTH

28" X 21" SEAT = 28" WIDTH BY 19.5" TO 21.5" DEPTH

30" X 21" SEAT = 30" WIDTH BY 19.5" TO 21.5" DEPTH

### Custom request dimensions

Effective seat depth = \_\_\_\_\_

Effective seat width = \_\_\_\_\_

max width is 30" with standard steel parts

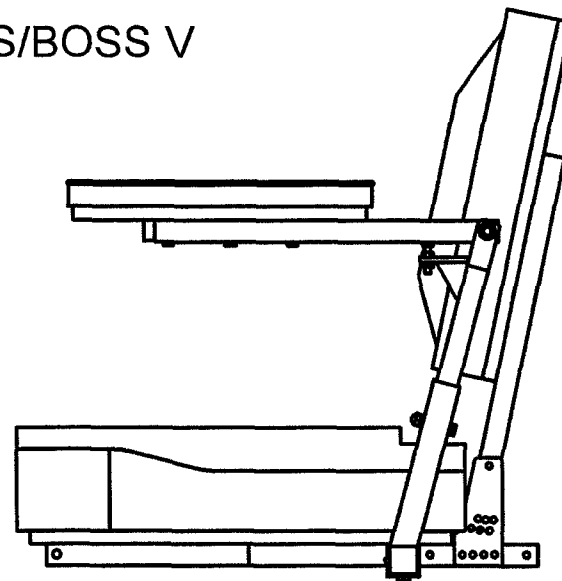
max width is 34" with custom steel parts

Upholstery choice \_\_\_\_\_

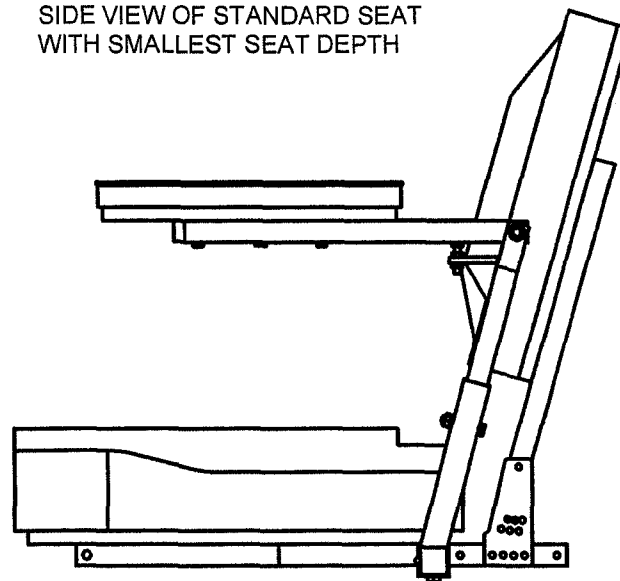
Dealer name \_\_\_\_\_

Order # \_\_\_\_\_ Qty. \_\_\_\_\_ Date \_\_\_\_\_

L.L. Salesperson \_\_\_\_\_



SIDE VIEW OF STANDARD SEAT  
WITH SMALLEST SEAT DEPTH



SIDE VIEW OF STANDARD SEAT  
WITH LARGEST SEAT DEPTH

### NOTE:

THIS DRAWING SHOWS THE DIMENSIONS FOR THE STANDARD SEAT SIZES SOLD BY LEISURE LIFT.

CUSTOMERS REQUESTING A NON-STANDARD SIZE WILL BE ASKED TO INDICATE AN EFFECTIVE SEAT DEPTH & SEAT WIDTH TO LEISURE-LIFT. WE WILL CONVERT THIS SPEC. TO A PLYWOOD DEPTH AND WIDTH SIZE TO BE UPHOLSTERED OVER. CUSTOM SEAT SIZE REQUEST WILL BE ROUNDED TO THE NEAREST 1".

BOSSCUSTSEAT  
3/06

DEAR DEALER,

PLEASE REVIEW THIS CUSTOM ORDER SEAT FORM CAREFULLY, SIGN AND RETURN. CUSTOM ORDER SEATS REQUIRE ADDITIONAL TIME. SPECIFICATIONS CAN NOT BE CHANGED AFTER THE ORDER IS PLACED. SIGNATURE \_\_\_\_\_

# LEISURE LIFT Com-For-Back SEAT FOR BOSS/BOSS V with wood seat bottom

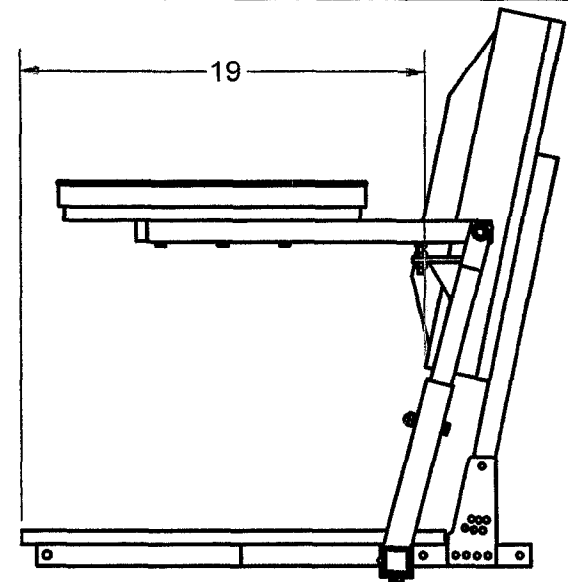
## STANDARD SEAT DIMENSIONS

23" X 20" SEAT = 23" WIDTH BY 19" TO 20.5" DEPTH

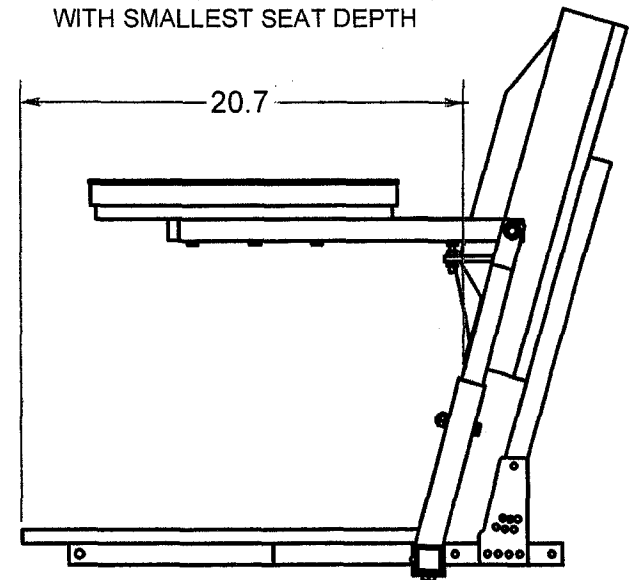
25" X 20" SEAT = 25" WIDTH BY 19" TO 20.5" DEPTH

27" X 20" SEAT = 27" WIDTH BY 19" TO 20.5" DEPTH

29" X 20" SEAT = 29" WIDTH BY 19" TO 20.5" DEPTH



SIDE VIEW OF STANDARD SEAT  
WITH SMALLEST SEAT DEPTH



SIDE VIEW OF STANDARD SEAT  
WITH LARGEST SEAT DEPTH

### Custom request dimensions

Effective seat depth = \_\_\_\_\_

Effective seat width = \_\_\_\_\_

max width is 30" with standard steel parts

max width is 34" with custom steel parts

Upholstery choice \_\_\_\_\_

Dealer name \_\_\_\_\_

Order # \_\_\_\_\_ Qty. \_\_\_\_\_ Date \_\_\_\_\_

L.L. Salesperson \_\_\_\_\_

### NOTE:

THIS DRAWING SHOWS THE DIMENSIONS FOR THE STANDARD SEAT SIZES SOLD BY LEISURE LIFT.

CUSTOMERS REQUESTING A NON-STANDARD SIZE WILL BE ASKED TO INDICATE AN EFFECTIVE SEAT DEPTH & SEAT WIDTH TO LEISURE-LIFT. WE WILL CONVERT THIS SPEC. TO A PLYWOOD DEPTH AND WIDTH SIZE TO BE UPHOLSTERED OVER. CUSTOM SEAT SIZE REQUEST WILL BE ROUNDED TO THE NEAREST 1".

BOSSCUSTBOARD  
3/06

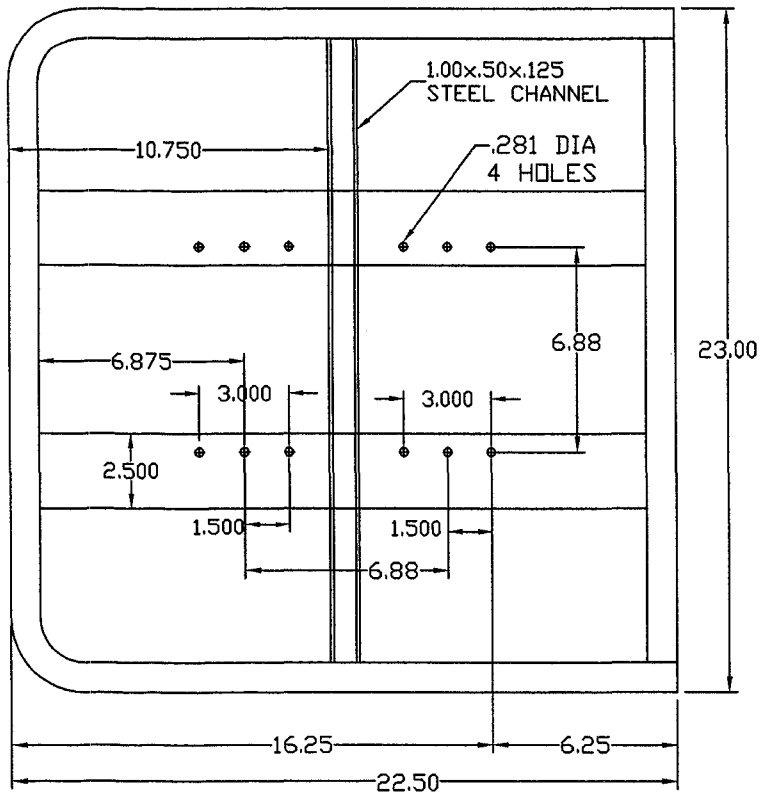
DEAR DEALER,

PLEASE REVIEW THIS CUSTOM ORDER SEAT FORM CAREFULLY, SIGN AND RETURN. CUSTOM ORDER SEATS REQUIRE ADDITIONAL TIME. SPECIFICATIONS CAN NOT BE CHANGED AFTER THE ORDER IS PLACED. SIGNATURE \_\_\_\_\_



LEISURE-LIFT ADMIRALS SEAT  
CUSTOM SIZE ORDER FORM

(24"-30" WIDE)



TOP VIEW OF 24W x 21D SEAT BOTTOM  
STEEL FRAME WITHOUT UPHOLSTERY

NOTE:

THIS DRAWING SHOWS THE FRAME DIMENSIONS FOR A STANDARD ADMIRALS SEAT. THE STANDARD FRAME PRODUCES A SEAT WITH AN EFFECTIVE SEAT DEPTH OF 21' & EFFECTIVE SEAT WIDTH OF 24'.

YOU MUST SPECIFY A WIDTH AND DEPTH FOR CUSTOM SEATS. CUSTOM SEAT SIZES WILL BE ROUNDED TO THE NEAREST INCH WITH A MANUFACTURING TOLERANCE OF .5'.

AT THIS TIME LEISURE-LIFT CONSIDERS THE FRAME WIDTH TO BE 1' LESS THAN THE EFFECTIVE SEAT WIDTH AND THE FRAME DEPTH AS 1.5' GREATER THAN THE EFFECTIVE MIN. SEAT DEPTH

Custom requested dimensions

Effective seat depth = \_\_\_\_\_

Effective seat width = \_\_\_\_\_

Upholstery choice \_\_\_\_\_

Dealer name \_\_\_\_\_

Order# \_\_\_\_\_ Qty. \_\_\_\_\_ Date \_\_\_\_\_

L.L. salesperson \_\_\_\_\_

Scooter/WC model \_\_\_\_\_

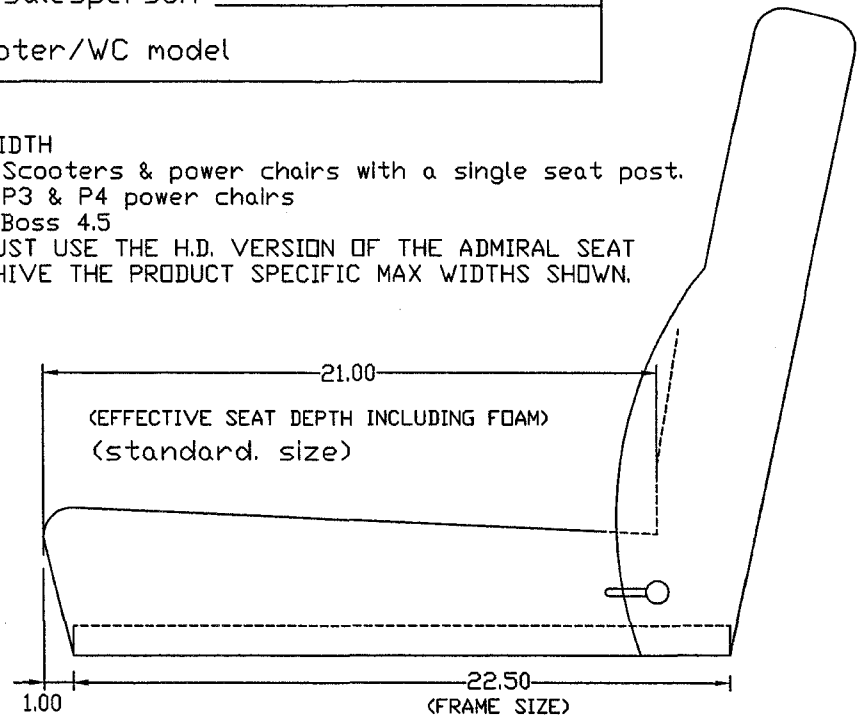
MAX WIDTH

24' - Scooters & power chairs with a single seat post.

26' - P3 & P4 power chairs

30' - Boss 4.5

YOU MUST USE THE H.D. VERSION OF THE ADMIRAL SEAT TO ACHIEVE THE PRODUCT SPECIFIC MAX WIDTHS SHOWN.



SIDE VIEW OF 24W x 21D SEAT  
WITH UPHOLSTERY

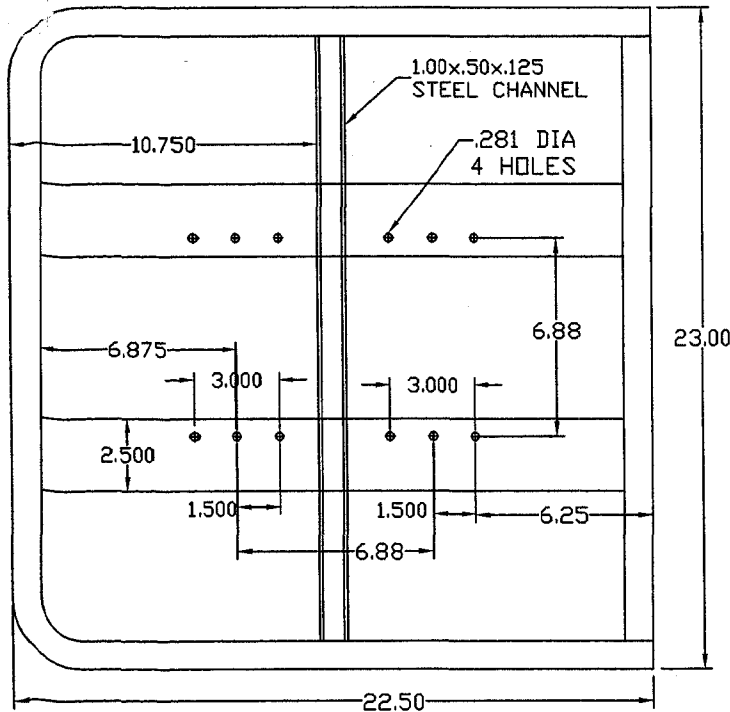
seateffdm  
rev. 03/06

Dear Dealer,

Please review this custom order seat form carefully, sign and return. Custom order seats require additional time. Specifications can not be changed after the order is placed. SIGNATURE: \_\_\_\_\_

LEISURE-LIFT ADMIRALS SEAT WITH WOOD PAN  
CUSTOM SIZE ORDER FORM

(24"-30" WIDE)



TOP VIEW OF 24W x 21D SEAT BOTTOM  
STEEL FRAME WITHOUT UPHOLSTERY

Custom requested dimensions

Effective seat depth = \_\_\_\_\_

Effective seat width = \_\_\_\_\_

Upholstery choice \_\_\_\_\_

Dealer name \_\_\_\_\_

Order# \_\_\_\_\_ Qty. \_\_\_\_\_ Date \_\_\_\_\_

L.L. salesperson \_\_\_\_\_

Scooter/WC model \_\_\_\_\_

MAX WIDTH

24' - Scooters & power chairs with a single seat post.

26' - P3 & P4 power chairs

30' - Boss 4.5

YOU MUST USE THE H.D. VERSION OF THE ADMIRAL SEAT  
TO ACHIEVE THE PRODUCT SPECIFIC MAX WIDTHS SHOWN.

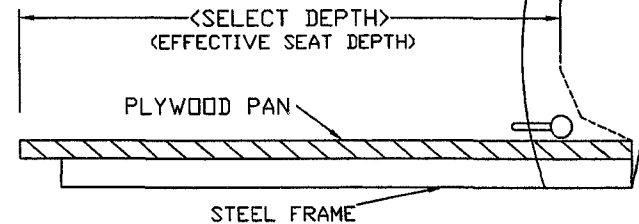
NOTES:

YOU MUST SPECIFY A WIDTH AND DEPTH FOR CUSTOM SEATS.  
CUSTOM SEAT SIZES WILL BE ROUNDED TO THE NEAREST INCH  
WITH A MANUFACTURING TOLERANCE OF .5".

THE FRAME WIDTH TO BE 1" LESS THAN THE EFFECTIVE SEAT  
WIDTH AND THE FRAME DEPTH AS 2.5" GREATER THAN THE  
EFFECTIVE MIN. SEAT DEPTH

THE WOOD PAN WILL BE FLUSH OR EXTEND OVER THE FRONT  
OF THE STEEL FRAME AND EXTEND .5" PER SIDE ON THE  
SIDES OF THE STEEL FRAME.

EFFECTIVE SEAT DEPTHS UP TO 24" WILL BE ACCOMPLISHED BY  
EXTENDING THE WOOD PAN BEYOND THE FRONT OF THE STEEL  
FRAME AS SHOWN BELOW.



SIDE VIEW OF STANDARD SEAT  
WITH UPHOLSTERY

seateffdm  
rev. 03/06

Dear Dealer,

Please review this custom order seat form carefully, sign and return. Custom order seats require additional  
time. Specifications can not be changed after the order is placed. SIGNATURE: \_\_\_\_\_